

Scanner Accessibility Option
Type 3245
(G570-03/04/06/07)

Scanner Accessibility Option Type 3245 (G570-03/04/06/07)

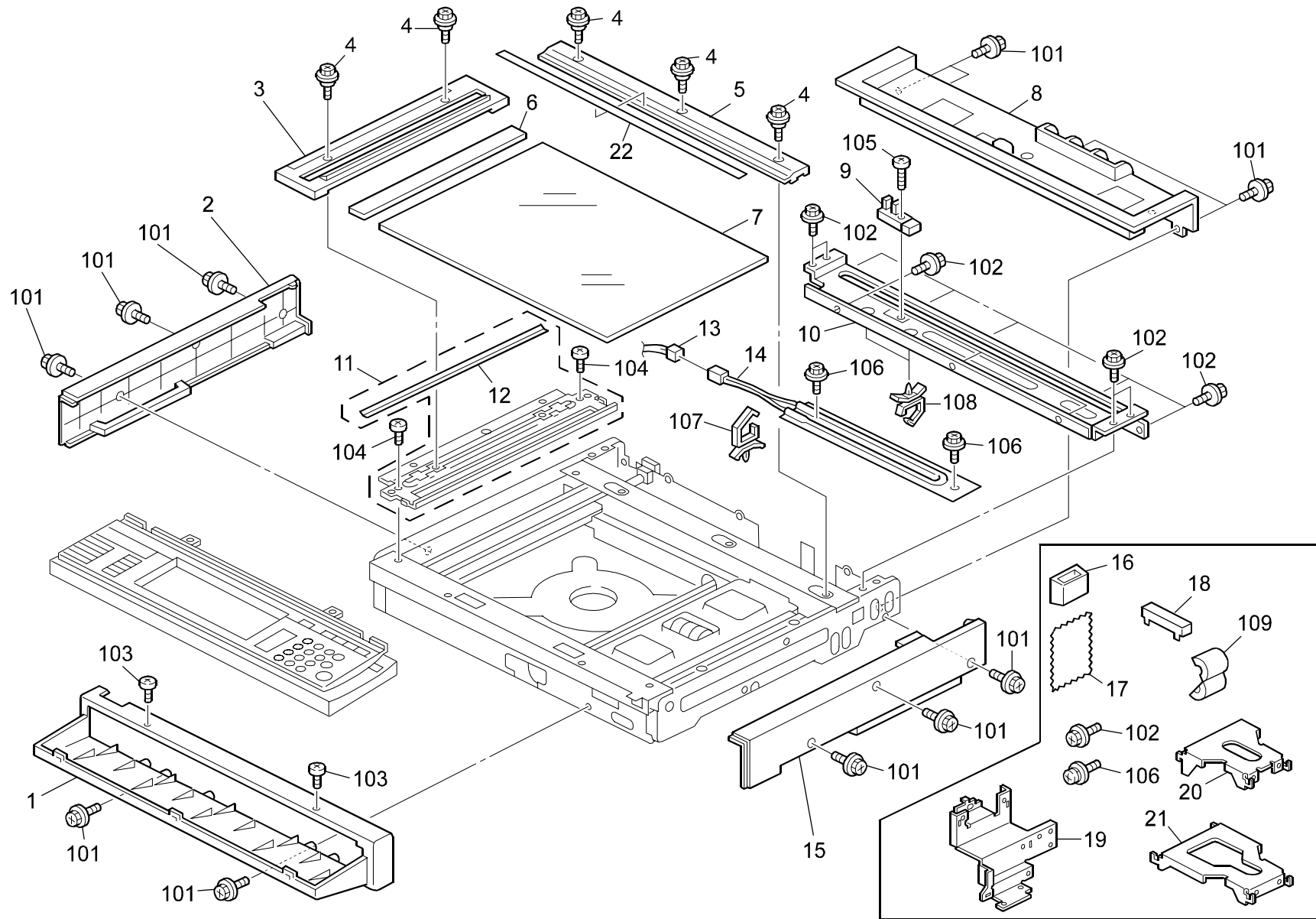
PARTS CATALOG

This catalog gives the numbers and names of parts on this machine.

1.Scanner Accessibility 1 (B570-03/04/06/07).....	2
2.Scanner Accessibility 2 (B570-03/04/06/07).....	4
3.Scanner Accessibility 3 (B570-03/04/06/07).....	6
4.Scanner Accessibility 4 (B570-03/04/06/07).....	8
Parts Index.....	11

February ,10 ' 2005

1.Scanner Accessibility 1 (B570-03/04/06/07)

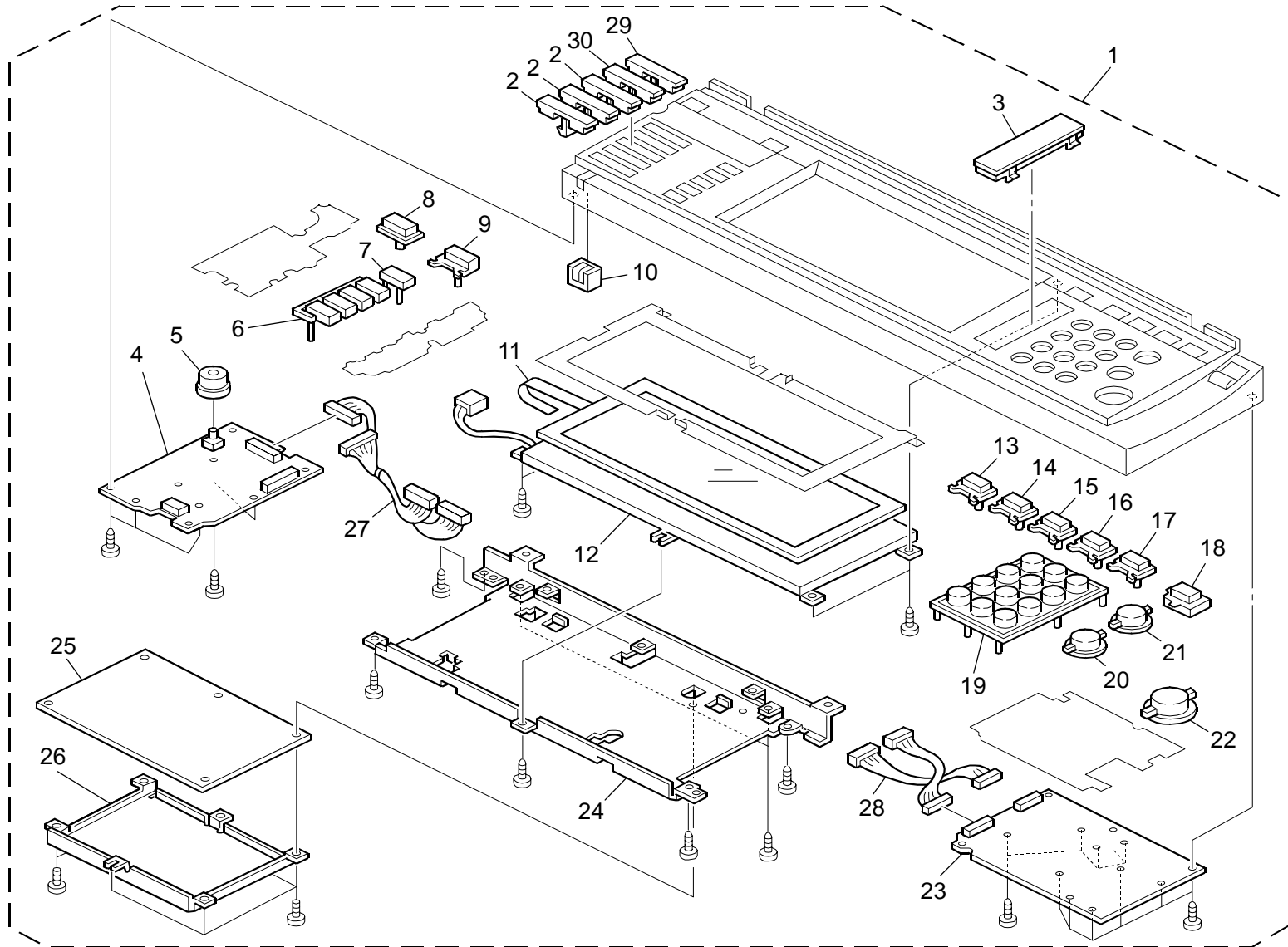


1.Scanner Accessibility 1 (B570-03/04/06/07)

Index No.	Part No.	Description	Q'ty Per Assembly
1	G570 1524	Front Scanner Cover	1
2	G570 1521	Left Scanner Cover	1
3	G564 6511	Left Scale - EU	1
3	G564 6521	Left Scale - NA	1
4	AA14 3520	Shoulder Screw - M3	5
5	G570 1245	Rear Scale	1
6	BC01 2002	Exposure Glass:Sheet Through:344x20	1
7	A250 1752	Exposure Glass	1
8	G570 1708	Cover:Scanner:Rear	1
9	AW02 0146	Photointerruptor:Flat:PICH2MM:M4	1
10	G570 1554	Bracket - Hinge	1
11	B180 1730	Bracket:Scale:Left:Ass'y	1
12	B351 6523	Seal - ADF Exposure Glass	1
13	G570 1751	Harness:Heater	1
14	A250 1821	Heater - 9W (NA)	1
14	A250 1822	Heater - 9W (EU)	1
15	G570 1522	Right Scanner Cover	1
16	B065 1371	Cloth Holder	1
17	B065 1374	Cloth - DF Exposure Glass	1
18	G570 2066	Keytop Printer - NA	1
18	G570 2067	Keytop Scanner - NA	1
18	G570 2076	Keytop Printer - EU	1
18	G570 2077	Keytop Scanner - EU	1
19	G570 5651	Bracket:Harness:Scanner	1
20	G570 5652	Bracket:Harness:Left	1
21	G570 5653	Bracket:Harness:Right	1
22	B387 6053	Original Scale Decal - A4	1
22	B387 6054	Original Scale Decal - LT	1

Index No.	Part No.	Description	Q'ty Per Assembly
101	0451 3008N	Tapping Screw - M3x8	
102	0451 3006N	Tapping Screw - 3x6	
103	0353 0050N	Screw-M3x5	
104	0453 3006N	Tapping Screw - M3x6	
105	0314 0120N	Screw - M4X12	
106	0954 4008N	Screw - M4X8	
107	1105 0516	Clamp	
108	1105 0511	Harness Clamp - LWS-0306ZC	
109	1607 1460	Ferrite Core:RFC-9	

2.Scanner Accessibility 2 (B570-03/04/06/07)

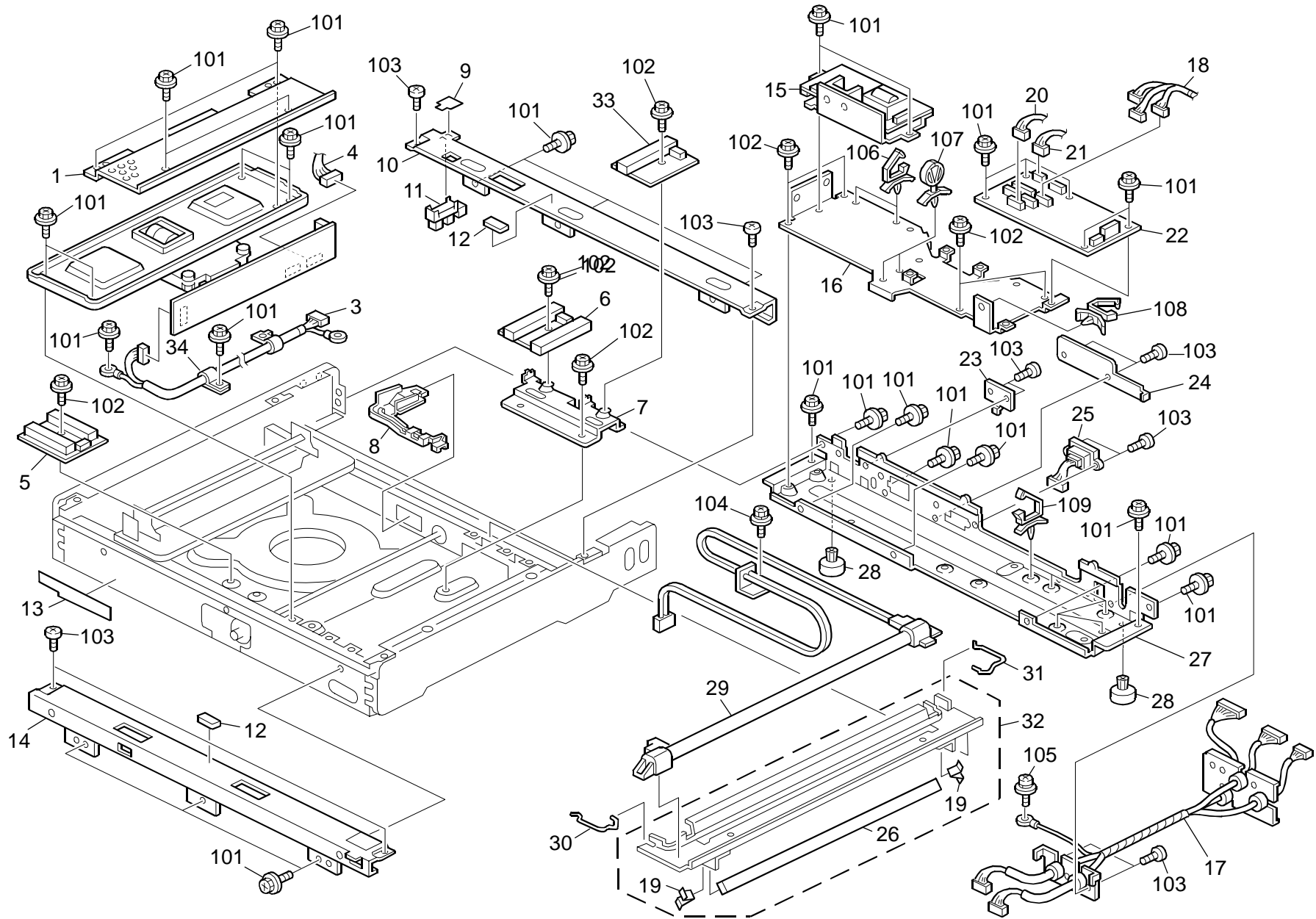


2.Scanner Accessibility 2 (B570-03/04/06/07)

Index No.	Part No.	Description	Q'ty Per Assembly
1	B180 6110	Operation Sub-unit:NA:Ass'y	1
1	B180 6210	Operation Sub-unit:Ass'y	1
2	G570 1963	Keypop Switch - Large	2
3	B180 1454	Keypop:Switch:Cover:Right	1
4	B180 1990	PCB:Operation Sub-unit:Left	1
5	G570 1964	Knob - Contrast	1
6	G570 1953	Keypop - Color Select	1
7	B051 1482	Keypop - ACS	1
8	G570 1951	Keypop - Counter	1
9	G570 1948	Keypop - Color Adjust	1
10	G570 1972	Lens - Data Input	1
11	B180 5258	Touch Panel:HVGA	1
12	B180 5259	LCD:HVGA:SH:BL	1
13	G570 1947	Keypop - Check Modes	1
14	G570 1950	Keypop - Program	1
15	G570 2062	Keypop Clear Modes - EXP	1
16	G570 1946	Keypop - Energy Saver	1
17	G570 1945	Keypop - Interrupt	1
18	G570 1967	Keypop - Power Source	1
19	G570 1944	Keypop - 10key(230V)	1
19	G570 2061	Keypop - 10key(120V)	1
20	G570 1942	Keypop - Clear/stop	1
21	G570 1943	Keypop - Sample Copy	1
22	G570 1941	Keypop - Start/Stop	1
23	B180 1991	PCB:Operation Sub-unit:Right	1
24	B180 1455	Bracket:Operation Sub-unit:LCD	1
25	B180 5231	PCB:LCDC:NA	1
25	B180 5232	PCB:LCDC:EU	1
26	B180 1456	Cover:LCDC	1
27	B180 1992	Harness:Operation Sub-unit:Left	1
28	B180 1993	Harness:Operation Sub-unit:Right	1
29	G570 2063	Keypop Copy - NA	1
29	G570 2073	Keypop Copy - EU	1
30	G570 2064	Keypop - Switch(120V)	1
30	G570 2074	Keypop - Switch (230V)	1

Index No.	Part No.	Description	Q'ty Per Assembly

3.Scanner Accessibility 3 (B570-03/04/06/07)

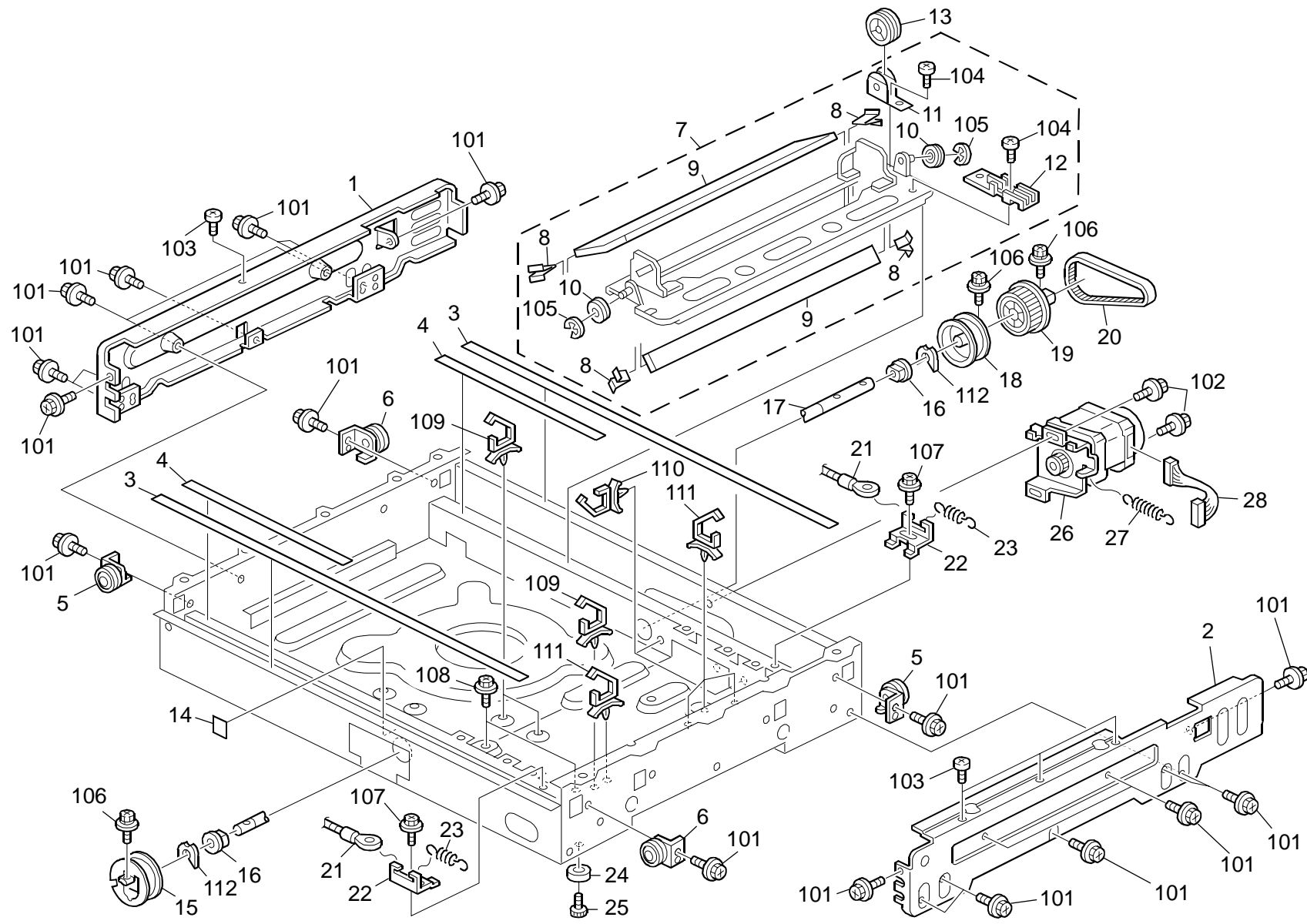


3.Scanner Accessibility 3 (B570-03/04/06/07)

Index No.	Part No.	Description	Q'ty Per Assembly
1	B180 1701	Inner Cover	1
2	B180 1837	Lens:Holder:Ass'y	1
3	G570 5100	Interface Cable:Sbu:Separation	1
4	B180 5431	Harness:Scanner:APS	1
5	AW01 0115	Original Sensor:H=81.5	1
6	AW01 0114	Original Sensor:H=2-66	1
7	G570 1040	Bracket - Original Sensor	1
8	B180 1803	Guide:High Voltage Supply Cord:Base	1
9	G570 1225	Shielding Plate:Home Position Sensor	1
10	G570 1042	Scanner Rear Frame	1
11	AW02 0145	Photointerruptor:Flat	1
12	5442 1924	Exposure Glass Cushion	1
13	B101 1805	Scanner Air Movement Block Plate	1
14	G570 1043	Frame:Scanner:Front	1
15	AZ50 0066	Stabilizer:Xenon Lamp	1
16	G570 1709	Bracket:Scanner:Option	1
17	G570 1705	Harness:Scanner:Separation:Ass'y	1
18	G570 5104	Harness:Separation	1
19	A193 1767	1st Mirror Holder	2
20	G570 5106	Harness:Hps:Separation	1
21	G570 5105	Harness:Invertor:Separation	1
22	B180 5216	PCB:SIO	1
23	G570 1715	Bracket:Heater:Prevention	1
24	G570 1712	Bracket:Cover	1
25	G570 5107	Harness:Document Feeder:Separation	1
26	AC03 0142	1st Mirror	1
27	G570 1703	Frame:Scanner:Auxiliary:Rear	1
28	G570 1540	Rubber Foot H=10	2
29	AX50 0086	Xenon Lamp:Option:Dia10.3:Ass'y	1
30	A193 1766	Wire Clamp	1
31	A193 1769	Clamp - Rear Wire	1
32	B180 1816	Carriage:No.1:Ass'y	1
33	AW01 0116	Original Sensor:H=1-66	1
34	G570 1555	Plate - Cable	1

Index No.	Part No.	Description	Q'ty Per Assembly
101	0451 3006N	Tapping Screw - 3x6	
102	0802 5276	Tapping Screw With Washer - M3x6	
103	0453 3006N	Tapping Screw - M3x6	
104	0802 5279	Tapping Screw With Washer - M3x8	
105	0954 4008N	Screw - M4X8	
106	1105 0516	Clamp	
107	1105 0280	Wire Saddle	
108	1105 0511	Harness Clamp - LWS-0306ZC	
109	1105 0489	Harness Clamp - LWS 1316	

4.Scanner Accessibility 4 (B570-03/04/06/07)



4.Scanner Accessibility 4 (B570-03/04/06/07)

Index No.	Part No.	Description	Q'ty Per Assembly
1	G570 1551	Scanner Frame - Left	1
2	G570 1552	Scanner Frame - Right	1
3	A193 1816	1st Slide Rail	2
4	B180 1734	Slide Rail:No.2	1
5	B024 1845	Rear Left Bracket - Idler	1
6	B024 1841	Front Left Bracket - Idler	1
7	G570 1823	Carriage:No.2:Ass'y	1
8	G570 1704	Spring Plate:Mirror:No.2	1
9	B180 1748	Mirror:No.2:Ass'y	1
10	A267 1855	Wire Pulley - M18	2
11	G570 2833	Pulley Holder	1
12	G570 2832	Guide - High Voltage Supply Cord	1
13	G570 2834	Pulley - High Voltage Supply Cord	1
14	G570 1160	Spacer Bushing	1
15	B180 1706	Pulley:Drive Were:Front:Sub-ass'y	1
16	AA08 2104	Bushing - 8x12x7	2
17	G570 1132	Scanner Drive Shaft	1
18	B180 1709	Pulley:Drive Were:Rear:Sub-ass'y	1
19	G570 1133	Timing Pulley 73	1
20	AA04 3966	Timing Belt:S1.5m236	1
21	AA05 0114	Drive Were:Carriage:Mm1.0	1
22	B180 1704	Bracket:Tension	1
23	AA06 0980	Tension Spring:Tension:11300mn	1
24	G570 1543	Spacer - Adjusting Screw	2
25	G570 1542	Adjusting Screw - Scanner	2
26	B180 1713	Stepper Motor:Ass'y	1
27	AA06 0979	Tension Spring:Tension:14720mn	1
28	G570 5108	Harness:Scanner:Motor:Separation	1

Index No.	Part No.	Description	Q'ty Per Assembly
101	0451 3006N	Tapping Screw - 3x6	
102	0451 3008N	Tapping Screw - M3x8	
103	0453 3006N	Tapping Screw - M3x6	
104	0353 0050N	Screw-m3x5	
105	0720 0040E	Retaining Ring - M4	
106	0804 6123	Hexagonal Bolt:W/Washer:M3x8	
107	0802 5299	Tapping Screw:Washer:3x8	
108	0802 5276	Tapping Screw With Washer - M3x6	
109	1105 0511	Harness Clamp - LWS-0306ZC	
110	1105 0516	Clamp	
111	1105 0487	Harness Clamp	
112	0805 0088	Retaining Ring - M6	

Parts Index

Parts Index

Part No.	Description	Page and Index No.
G570 1040	Bracket - Original Sensor	7 - 7
G570 1042	Scanner Rear Frame	7 - 10
G570 1043	Frame:Scanner:Front	7 - 14
G570 1132	Scanner Drive Shaft	9 - 17
G570 1133	Timing Pulley 73	9 - 19
G570 1160	Spacer Bushing	9 - 14
G570 1225	Shielding Plate:Home Position Sensor	7 - 9
G570 1245	Rear Scale	3 - 5
G570 1521	Left Scanner Cover	3 - 2
G570 1522	Right Scanner Cover	3 - 15
G570 1524	Front Scanner Cover	3 - 1
G570 1540	Rubber Foot H=10	7 - 28
G570 1542	Adjusting Screw - Scanner	9 - 25
G570 1543	Spacer - Adjusting Screw	9 - 24
G570 1551	Scanner Frame - Left	9 - 1
G570 1552	Scanner Frame - Right	9 - 2
G570 1554	Bracket - Hinge	3 - 10
G570 1555	Plate - Cable	7 - 34
G570 1703	Frame:Scanner:Auxiliary:Rear	7 - 27
G570 1704	Spring Plate:Mirror:No.2	9 - 8
G570 1705	Harness:Scanner:Separation:Ass'y	7 - 17
G570 1708	Cover:Scanner:Rear	3 - 8
G570 1709	Bracket:Scanner:Option	7 - 16
G570 1712	Bracket:Cover	7 - 24
G570 1715	Bracket:Heater:Prevention	7 - 23
G570 1751	Harness:Heater	3 - 13
G570 1823	Carriage:No.2:Ass'y	9 - 7
G570 1941	Keytop - Start/Stop	5 - 22
G570 1942	Keytop - Clear/stop	5 - 20
G570 1943	Keytop - Sample Copy	5 - 21
G570 1944	Keytop - 10key(230V)	5 - 19
G570 1945	Keytop - Interrupt	5 - 17
G570 1946	Keytop - Energy Saver	5 - 16
G570 1947	Keytop - Check Modes	5 - 13
G570 1948	Keytop - Color Adjust	5 - 9

Part No.	Description	Page and Index No.
G570 1950	Keytop - Program	5 - 14
G570 1951	Keytop - Counter	5 - 8
G570 1953	Keytop - Color Select	5 - 6
G570 1963	Keytop Switch - Large	5 - 2
G570 1964	Knob - Contrast	5 - 5
G570 1967	Keytop - Power Source	5 - 18
G570 1972	Lens - Data Input	5 - 10
G570 2061	Keytop - 10key(120V)	5 - 19
G570 2062	Keytop Clear Modes - EXP	5 - 15
G570 2063	Keytop Copy - NA	5 - 29
G570 2064	Keytop - Switch(120V)	5 - 30
G570 2066	Keytop Printer - NA	3 - 18
G570 2067	Keytop Scanner - NA	3 - 18
G570 2073	Keytop Copy - EU	5 - 29
G570 2074	Keytop - Switch (230V)	5 - 30
G570 2076	Keytop Printer - EU	3 - 18
G570 2077	Keytop Scanner - EU	3 - 18
G570 2832	Guide - High Voltage Supply Cord	9 - 12
G570 2833	Pulley Holder	9 - 11
G570 2834	Pulley - High Voltage Supply Cord	9 - 13
G570 5100	Interface Cable:Sbu:Separation	7 - 3
G570 5104	Harness:Separation	7 - 18
G570 5105	Harness:Invertor:Separation	7 - 21
G570 5106	Harness:Hps:Separation	7 - 20
G570 5107	Harness:Document Feeder:Separation	7 - 25
G570 5108	Harness:Scanner:Motor:Separation	9 - 28
G570 5651	Bracket:Harness:Scanner	3 - 19
G570 5652	Bracket:Harness:Left	3 - 20
G570 5653	Bracket:Harness:Right	3 - 21

Part No.	Description	Page and Index No.
A193 1766	Wire Clamp	7 - 30
A193 1767	1st Mirror Holder	7 - 19
A193 1769	Clamp - Rear Wire	7 - 31
A193 1816	1st Slide Rail	9 - 3
A250 1752	Exposure Glass	3 - 7
A250 1821	Heater - 9W (NA)	3 - 14
A250 1822	Heater - 9W (EU)	3 - 14
A267 1855	Wire Pulley - M18	9 - 10
B024 1841	Front Left Bracket - Idler	9 - 6
B024 1845	Rear Left Bracket - Idler	9 - 5
B051 1482	Keytop - ACS	5 - 7
B065 1371	Cloth Holder	3 - 16
B065 1374	Cloth - DF Exposure Glass	3 - 17
B101 1805	Scanner Air Movement Block Plate	7 - 13
B180 1454	Keytop:Switch:Cover:Right	5 - 3
B180 1455	Bracket:Operation Sub-unit:LCD	5 - 24
B180 1456	Cover:LCDC	5 - 26
B180 1701	Inner Cover	7 - 1
B180 1704	Bracket:Tension	9 - 22
B180 1706	Pulley:Drive Were:Front:Sub-ass'y	9 - 15
B180 1709	Pulley:Drive Were:Rear:Sub-ass'y	9 - 18
B180 1713	Stepper Motor:Ass'y	9 - 26
B180 1730	Bracket:Scale:Left:Ass'y	3 - 11
B180 1734	Slide Rail:No.2	9 - 4
B180 1748	Mirror:No.2:Ass'y	9 - 9
B180 1803	Guide:High Voltage Supply Cord:Base	7 - 8
B180 1816	Carriage:No.1:Ass'y	7 - 32
B180 1837	Lens:Holder:Ass'y	7 - 2
B180 1990	PCB:Operation Sub-unit:Left	5 - 4
B180 1991	PCB:Operation Sub-unit:Right	5 - 23
B180 1992	Harness:Operation Sub-unit:Left	5 - 27
B180 1993	Harness:Operation Sub-unit:Right	5 - 28
B180 5216	PCB:SIO	7 - 22
B180 5231	PCB:LCDC:NA	5 - 25
B180 5232	PCB:LCDC:EU	5 - 25

Part No.	Description	Page and Index No.
B180 5258	Touch Panel:HVGA	5 - 11
B180 5259	LCD:HVGA:SH:BL	5 - 12
B180 5431	Harness:Scanner:APS	7 - 4
B180 6110	Operation Sub-unit:NA:Ass'y	5 - 1
B180 6210	Operation Sub-unit:Ass'y	5 - 1
B351 6523	Seal - ADF Exposure Glass	3 - 12
B387 6053	Original Scale Decal - A4	3 - 22
B387 6054	Original Scale Decal - LT	3 - 22
G564 6511	Left Scale - EU	3 - 3
G564 6521	Left Scale - NA	3 - 3

Part No.	Description	Page and Index No.
AA04 3966	Timing Belt:S1.5m236	9 - 20
AA05 0114	Drive Were:Carriage:Mm1.0	9 - 21
AA06 0979	Tension Spring:Tension:14720mn	9 - 27
AA06 0980	Tension Spring:Tension:11300mn	9 - 23
AA08 2104	Bushing - 8x12x7	9 - 16
AA14 3520	Shoulder Screw - M3	3 - 4
AC03 0142	1st Mirror	7 - 26
AW01 0114	Original Sensor:H=2-66	7 - 6
AW01 0115	Original Sensor:H=81.5	7 - 5
AW01 0116	Original Sensor:H=1-66	7 - 33
AW02 0145	Photointerruptor:Flat	7 - 11
AW02 0146	Photointerruptor:Flat:PICH2MM:M4	3 - 9
AX50 0086	Xenon Lamp:Option:Dia10.3:Ass'y	7 - 29
AZ50 0066	Stabilizer:Xenon Lamp	7 - 15
BC01 2002	Exposure Glass:Sheet Through:344x20	3 - 6

Part No.	Description	Page and Index No.
0314 0120N	Screw - M4X12	3 - 105
0353 0050N	Screw-M3x5	3 - 103
0353 0050N	Screw-m3x5	9 - 104
0451 3006N	Tapping Screw - 3x6	9 - 101
0451 3006N	Tapping Screw - 3x6	3 - 102
0451 3006N	Tapping Screw - 3x6	7 - 101
0451 3008N	Tapping Screw - M3x8	3 - 101
0451 3008N	Tapping Screw - M3x8	9 - 102
0453 3006N	Tapping Screw - M3x6	7 - 103
0453 3006N	Tapping Screw - M3x6	3 - 104
0453 3006N	Tapping Screw - M3x6	9 - 103
0720 0040E	Retaining Ring - M4	9 - 105
0802 5276	Tapping Screw With Washer - M3x6	7 - 102
0802 5276	Tapping Screw With Washer - M3x6	9 - 108
0802 5279	Tapping Screw With Washer - M3x8	7 - 104
0802 5299	Tapping Screw:Washer:3x8	9 - 107
0804 6123	Hexagonal Bolt:W/Washer:M3x8	9 - 106
0805 0088	Retaining Ring - M6	9 - 112
0954 4008N	Screw - M4X8	7 - 105
0954 4008N	Screw - M4X8	3 - 106
1105 0280	Wire Saddle	7 - 107
1105 0487	Harness Clamp	9 - 111
1105 0489	Harness Clamp - LWS 1316	7 - 109
1105 0511	Harness Clamp - LWS-0306ZC	7 - 108
1105 0511	Harness Clamp - LWS-0306ZC	3 - 108
1105 0511	Harness Clamp - LWS-0306ZC	9 - 109
1105 0516	Clamp	3 - 107
1105 0516	Clamp	9 - 110
1105 0516	Clamp	7 - 106
1607 1460	Ferrite Core:RFC-9	3 - 109

Part No.	Description	Page and Index No.
5442 1924	Exposure Glass Cushion	7 - 12

Part No.	Description	Page and Index No.